

YD系列铸铁壳变极多速三相异步电动机

YD SERIES CAST IRON VARIABLE POLE MULTI-SPEED THREE PHASE INDUCTION MOTOR



产品简介

YD系列电动机主要用于需要变极调速的各种机床上，其电压，频率，安装结构及外形尺寸，绝缘等级，冷却方式均与Y2HE系列相同。

使用条件

- 绝缘等级: F
- 防护等级: IP54/IP55
- 额定电压: 根据客户需求
- 额定频率: 50Hz/60Hz
- 冷却方式: IC411
- 工作制: S1

安装结构

- B3机座带底脚，端盖无凸缘
- B35机座带底脚，端盖有凸缘
- B5机座无底脚，端盖有凸缘

PRODUCT INTRODUCTION

YD series motors are mainly used in various machine tools which need variable pole speed regulation. Their voltage, frequency, installation mode, shape size, insulation level and cooling mode are the same as Y2HE series.

APPLICATION CONDITIONS

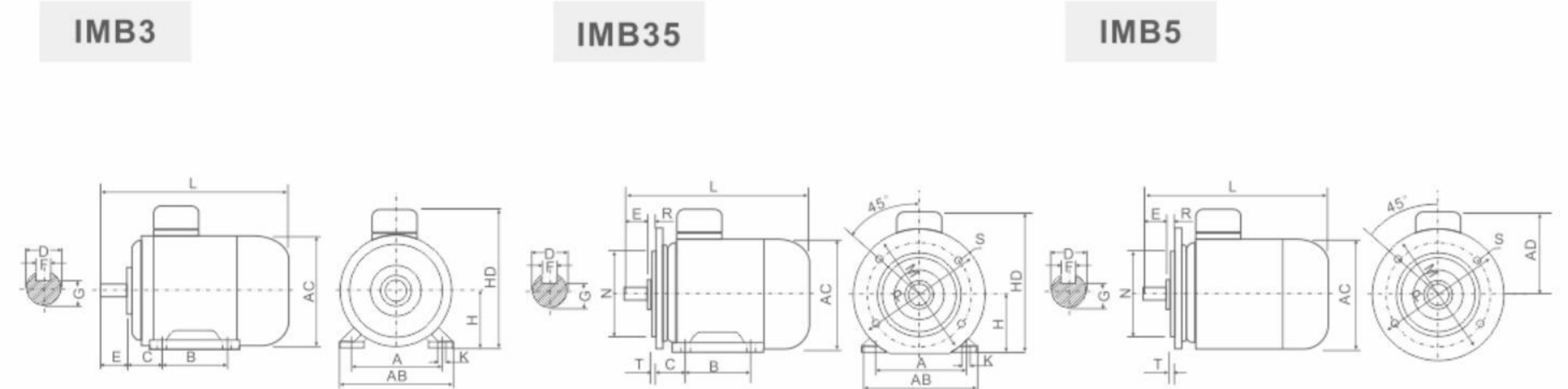
- Insulation grade: F
- Protection grade: IP54/IP55
- Rated voltage according to customer's request
- Rated frequency: 50Hz/60Hz
- Cooling method: IC411
- Duty type: S1

INSTALLATION STRUCTURE

- B3 base with feet; end shields without flange
- B35 base with feet; end shields with flange
- B5 base without feet; end shields with flange



www.ablecn.com



外形及安装尺寸 INSTALLATION AND OVERALL DIMENSIONS

机座号 Frame Size	安装尺寸 Mounting Dimensions (mm)																外形尺寸 Overall Dimensions(mm)								
	A	B	C	D		E		F		G		H	K	M	N	P	R	S	T	AB	AC	AD	HD	L	
				2P	4,6,8,10P	2P	4,6,8,10P	2P	4,6,8,10P	2P	4,6,8,10P													2P	4,6,8,10P
80	125	100	50	19	40	6	15.5	80	10	165	130	200	0	12	3.5	165	175	145	220	295					
90S	140	100	56	24	50	8	20	90	10	165	130	200	0	12	3.5	180	195	155	250	320					
90L	140	125	56	24	50	8	20	90	10	165	130	200	0	12	3.5	180	195	155	250	345					
100L	160	140	63	28	60	8	24	100	12	215	180	250	0	15	4	205	215	180	270	385					
112M	190	140	70	28	60	8	24	112	12	215	180	250	0	15	4	230	240	190	300	400					
132S	216	140	89	38	80	8	33	132	12	265	230	300	0	15	4	270	275	210	345	470					
132M	216	178	89	38	80	10	33	132	12	265	230	300	0	15	4	270	275	210	345	510					
160M	254	210	108	42	110	12	37	160	15	300	250	350	0	19	5	315	330	255	400	605					
160L	254	254	108	42	110	12	37	160	15	300	250	350	0	19	5	315	330	255	400	660					
180M	279	241	121	48	110	14	42.5	180	15	300	250	350	0	19	5	355	380	280	440	690					
180L	279	279	121	48	110	14	42.5	180	15	300	250	350	0	19	5	355	380	280	440	725					
200L	318	305	133	55	110	16	49	200	19	350	300	400	0	19	5	410	420	305	500	765					
225S	356	286	149	-	60	-	140	-	18	-	53	225	19	400	350	450	0	19	5	445	470	335	555	-	810
225M	356	311	149	55	60	110	140	16	18	49	53	225	19	400	350	450	0	19	5	445	470	335	550	805	835
250M	406	349	168	60	65	140	180	18	18	53	58	250	24	500	450	550	0	19	5	485	510	370	615	910	
280S	457	368	190	65	75	140	180	18	20	58	67.5	280	24	500	450	550	0	19	5	550	580	410	660	980	
280M	457	419	190	65	75	140	180	18	20	58	67.5	280	24	500	450	550	0	19	5	550	580	410	660	1030	
315S	508	406	216	65	80	140	170	18	22	58	71	315	28	600	550	660	0	24	6	630	645	630	825	1180	1275
315M	508	457	216	65	80	140	170	18	22	58	71	315	28	600	550	660	0	24	6	630	645	630	830	1290	1320
315L	508	508	216	65	80	140	170	18	22	58	71	315	28	600	550	660	0	24	6	630	645	630	830	1290	1320
355M	610	560	254	75	95	140	170	20	25	68	86	355	28	740	680	800	0	24	6	705	710	655	1010	1510	1540
355L	610	630	254	75	95	140	170	20	25	68	86	355	28	740	680	800	0	24	6	705	710	655	1010	1510	1540

技术参数 TECHNICAL DATA

型号 Model	极数 Polar number	额定功率 Rated Power	满载时 Full load				堵转电流 额定电流 Ist/In	堵转转矩 额定转矩 Tst/Tn	最大转矩 额定转矩 Tmax/Tn	电机重量 N.G
			转速	电流	效率	功率因数				
			Speed	Current	Eff.	PF				
		kW	rpm	A	η(%)	cosφ			kg	
YD801-4/2	4	0.45	1420	1.4	66	0.74	6.5	1.5	17	
	2	0.55	2860	1.5	65	0.85	7	1.7		
YD802-4/2	4	0.55	1420	1.7	68	0.74	6.5	1.6	18	
	2	0.75	2860	2	66	0.85	7	1.8		
YD90S-4/2	4	0.85	1430	2.3	74	0.77	6.5	1.8	22	
	2	1.1	2850	2.8	71	0.85	7	1.9		
YD90L-4/2	4	1.3	1430	3.3	76	0.78	6.5	1.8	27	
	2	1.8	2850	4.3	73	0.85	7	2		
YD100L1-4/2	4	2	1430	4.8	78	0.81	6.5	1.7	34	
	2	2.4	2850	5.6	76	0.86	7	1.9		
YD100L2-4/2	4	2.4	1450	5.6	79	0.83	6.5	1.6	38	
	2	3	2890	6.7	77	0.89	7	1.7		
YD112M-4/2	4	3.3	1450	7.4	82	0.83	6.5	1.9	43	
	2	4	2860	8.6	79	0.889	7	2		
YD132S-4/2	4	4.5	1450	9.8	83	0.84	6.5	1.7	68	
	2	5.5	2860	11.9	79	0.89	7	1.8		
YD132M-4/2	4	6.5	1450	13.8	84	0.85	6.5	1.7	81	
	2	8	2880	17.1	80	0.89	7	1.8		
YD160M-4/2	4	9	1460	18.5	87	0.85	6.5	1.6	123	
	2	11	2920	22.9	82	0.89	7	1.8		
YD160L-4/2	4	11	1460	23.3	87	0.86	6.5	1.7	144	
	2	14	2920	28.8	82	0.9	7	1.9		
YD180M-4/2	4	15	1470	29.4	89	0.87	6.5	1.8	182	
	2	18.5	2940	36.7	85	0.9	7	1.9		
YD180L-4/2	4	18.5	1470	35.9	89	0.88	6.5	1.6	190	
	2	22	2940	42.7	86	0.91	7	1.8		
YD200L-4/2	4	26	1470	49.9	89	0.89	6.5	1.4	270	
	2	30	2950	58.3	85	0.92	7	1.6		
YD225S-4/2	4	32	1480	60.7	90	0.89	6.5	1.4	290	
	2	37	2960	71.1	86	0.92	7	1.6		
YD225M-4/2	4	37	1480	69.4	91	0.89	6.5	1.6	325	
	2	45	2960	86.4	86	0.92	7	1.6		
YD250M-4/2	4	45	1480	84.4	91	0.89	6.5	1.6	427	
	2	52	2960	98.7	87	0.92	7	1.6		
YD280S-4/2	4	60	1490	111.3	91	0.9	6.5	1.4	565	
	2	72	2970	135.1	88	0.92	7	1.5		
YD280M-4/2	4	72	1480	133.6	91	0.9	6.5	1.4	667	
	2	82	2970	152.2	88	0.93	7	1.5		
YD90S-6/4	6	0.65	920	2.2	64	0.68	6	1.6	23	
	4	0.85	1420	2.3	70	0.79	6.5	1.4		
YD90L-6/4	6	0.85	930	2.8	66	0.79	6	1.6	25	
	4	1.1	1400	3	71	0.7	6.5	1.5		
YD100L1-6/4	6	1.3	940	3.8	74	0.8	6	1.7	34	
	4	1.8	1440	4.4	77	0.7	6.5	1.4		
YD100L2-6/4	6	1.5	940	4.3	75	0.8	6	1.6	38	
	4	2.2	1440	6.4	77	0.75	6.5	1.4		
YD112M-6/4	6	2.2	960	5.7	78	0.82	6	1.8	49	
	4	2.8	1440	6.7	77	0.75	6.5	1.5		
YD132S-6/4	6	3	970	7.7	79	0.82	6	1.8	65	
	4	4	1440	9.5	78	0.76	6.5	1.7		
YD132M-6/4	6	4	970	9.8	80	0.85	6	1.6	84	
	4	5.5	1440	12.3	82	0.78	6.5	1.4		
YD160M-6/4	6	6.5	970	15.1	84	0.85	6	1.5	119	
	4	8	1440	17.6	82	0.76	6.5	1.5		
YD160L-6/4	6	9	970	20.6	85	0.85	6	1.6	147	
	4	11	1440	23.7	83	0.78	6.5	1.7		
YD180M-6/4	6	11	980	25.9	85	0.85	6	1.6	192	
	4	14	1470	29.8	84	0.78	6.5	1.7		
YD180L-6/4	6	13	980	29.4	86	0.86	6	1.7	224	
	4	16	1470	33.6	85	0.85	6.5	1.7		
YD200L-6/4	6	18.5	980	41.4	87	0.78	6.5	1.6	200	
	4	22	1460	44.9	86.5	0.86	7	1.5		
YD225S-6/4	6	22	980	44.2	88	0.86	6.5	1.8	290	
	4	28	1470	56.5	86.5	0.87	7	1.8		
YD225M-6/4	6	26	980	52.2	88	0.86	6.5	1.8	305	
	4	32	1470	63.2	85.5	0.9	7	1.8		
YD250M-6/4	6	32	980	62.1	90	0.87	6.5	1.5	420	
	4	42	1480	81.1	86.5	0.91	7	1.3		
YD280S-6/4	6	42	980	81.5	90	0.87	6.5	1.5	550	
	4	55	1470	106.7	87	0.9	7	1.3		
YD280M-6/4	6	55	980	106.7	90	0.87	6.5	1.6	610	
	4	67	1470	131.5	87	0.89	7	1.3		

1.8

1.8

型号 Model	极数 Polar number	额定功率 Rated Power	满载时 Full load				堵转电流 额定电流 Ist/In	堵转转矩 额定转矩 Tst/Tn	最大转矩 额定转矩 Tmax/Tn	电机重量 N.G
			转速	电流	效率	功率因数				
			Speed	Current	Eff.	PF				
		kW	rpm	A	η(%)	cosφ			kg	
YD90L-8/4	8	0.45	700	1.9	58	0.63	5.5	1.6	25	
	4	0.75	1420	1.8	72	0.87	6.5	1.4		
YD100L-8/4	8	0.85	700	3	67	0.63	5.5	1.6	38	
	4	1.5	1410	3.5	74	0.88	6.5	1.4		
YD112M-8/4	8	1.5	700	5	72	0.63	5.5	1.7	49	
	4	2.4	1410	5.3	78	0.88	6.5	1.7		
YD132S-8/4	8	2.2	720	7	75	0.64	5.5	1.5	63	
	4	3.3	1440	7.1	80	0.88	6.5	1.7		
YD132M-8/4	8	3	730	9	78	0.65	5.5	1.5	80	
	4	4.5	1450	9.4	82	0.89	6.5	1.6		
YD160M-8/4	8	5	730	13.9	83	0.66	5.5	1.5	124	
	4	7.5	1450	15.2	84	0.89	6.5	1.6		
YD160L-8/4	8	7	730	19	85	0.66	5.5	1.5	147	
	4	11	1450	21.8	86	0.89	6.5	1.6		
YD180L-8/4	8	11	730	26.7	87	0.72	6	1.5	259	
	4	17	1470	32.3	88	0.91	7	1.5		
YD200L1-8/4	8	14	740	33	87	0.74	6	1.8	260	
	4	22	1470	41.3	88	0.92	7	1.7		
YD200L2-8/4	8	17	740	40.1	87	0.74	6	1.5	275	
	4	26	1470	48.8	88	0.92	7	1.7		
YD225M-8/4	8	24	740	53.2	89	0.77	6	1.5	300	
	4	34	1470	66.7	88	0.88	7	1.5		
YD250M-8/4	8	30	740	64.9	90	0.78	6	1.6	420	
	4	42	1480	78.8	89	0.91	7	1.7		
YD280S-8/4	8	40	740	83.5	91	0.8	6	1.6	550	
	4	55	1480	102	90	0.91	7	1.7		
YD280M-8/4	8	47	740	96.9	91	0.81	6	1.6	615	
	4	67	1480	122.9	90	0.92	7	1.7		
YD90S-8/6	8	0.35	700	1.6	56	0.6	5	1.8	23	
	6	0.45	930	1.4	70	0.72	6	2		
YD90L-8/6	8	0.45	700	1.9	59	0.6	5	1.7	25	
	6	0.65	930	1.9	71	0.73	6	1.8		
YD100L-8/6	8	0.75	710	2.9	65	0.6	5	1.8	38	
	6	1.1	950	3.1	75	0.73	6	1.9		
YD112M-8/6	8	1.3	710	4.5	72	0.61	5	1.7	51	
	6	1.8	950	4.8	78	0.73	6	1.9		
YD132S-8/6	8	1.8	730	5.8	76	0.62	5	1.6	63	
	6	2.4	970	6.2	80	0.73	6	1.9		
YD132M-8/6	8	2.6	730	8.2	78	0.62	5	1.9	84	
	6	3.7	970	9.4	82	0.73	6	1.9		
YD160M-8/6	8	4.5	730	13.3	83	0.62	5	1.6	119	
	6	6	980	14.7	85	0.73	6	1.9		
YD160L-8/6	8	6	730	17.5	84	0.62	5	1.6	147	
	6	8	980	19.4	86	0.73	6	1.9		
YD180M-8/6	8	7.5	730	21.9	84	0.62	5	1.9	195	
	6	10	980	24.2	86	0.73	6	1.9		
YD180L-8/6	8	9	730	24.8	85	0.65	5	1.8	224	
	6	12	980	28.3	86	0.75	6	1.8		
YD200L1-8/6	8	12	730	32.5	85	0.66	5	1.8	230	
	6	17	980	39	86	0.77	6	2		
YD200L2-8/6	8	15	730	40.2	86	0.66	5	1.8	260	
	6	20	980	45.4	87	0.77	6	2		
YD160M-12/6	12	2.6	480	11.6	74	0.46	4	1.2	119	
	6	5	970	11.9	84	0.76	6	1.4		
YD160L-12/6	12	3.7	480	16.1	76	0.46	4	1.2	147	
	6	7	970	15.8	85	0.79	6	1.4		
YD180L-12/6	12	5.5	490	19.6	79	0.54	4	1.3	224	
	6	10	980	20.5	86	0.86	6	1.3		
YD200L1-12/6	12	7.5	490	24.5	83	0.56	4	1.5	260	
	6	13	970	26.4	87	0.86	6	1.5		
YD200L2-12/6	12	9	490	28.9	83	0.57	4	1.5	270	
	6	15	970	30.1	87	0.87	6	1.5		
YD225M-12/6	12	12	490	35.2	85	0.61	4	1.5	285	
	6	20	980	39.7	88	0.87	6	1.5		
YD250M-12/6	12	15	490	42.1	86	0.63	4	1.5	405	
	6	24	990	47.1	89	0.87	6	1.5		
YD280S-12/6	12	20	490	54.8	88	0.63	4	1.5	520	
	6	30	990	58.9	89	0.87	6	1.5		
YD280M-12/6	12	24	490	63.7	88	0.65	4	1.5	590	
	6	37	990	72.6	89	0.87	6	1.5		