

YE3系列铸铁壳三相异步电动机

YE3 SERIES CAST IRON THREE PHASE INDUCTION MOTOR

IE3-50HZ



产品简介

该系列电动机设计符合IEC国际标准，可广泛应用于众多对质量及可靠性要求极高的领域，如：工业、商业、建筑业、楼宇给水和农业灌溉等。

产品特点

- 功率范围：0.18-315kW
- 机座号：80-355
- 额定电压：可根据客户需求
- 额定频率：50/60Hz
- 能效等级：IE3（国标能效三级）
- 绝缘等级：F
- 防护等级：IP55
- 冷却方式：IC411
- 工作制：S1
- 安装方式：B3、B35、B5

产品优势

- 结构紧凑
- 外形美观
- 低噪音
- 起动转矩大
- 适用于高负载工作
- 高效节能
- 安装便捷，维护方便
- 可靠耐用

PRODUCT INTRODUCTION

This series of motor design conforms to IEC standard. It could be widely applied in the field with high requirement on quality and reliability, such as manufacturing, commerce, construction, water supply and agricultural irrigation, etc.

PRODUCT FEATURES

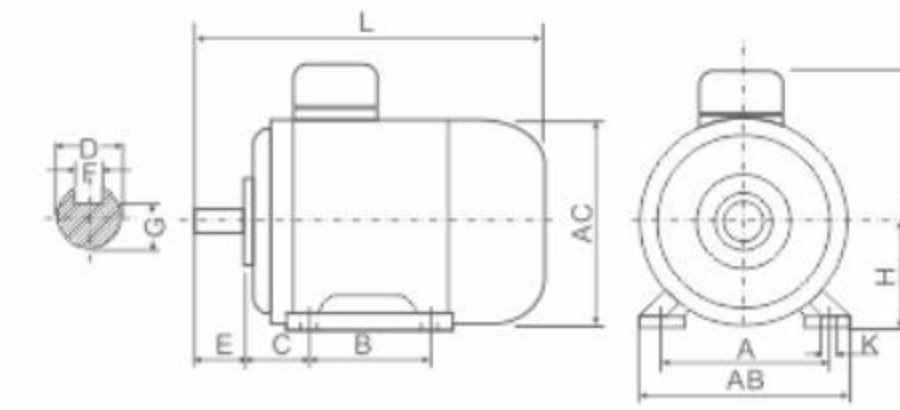
- Output: 0.18-315kW
- Frame size: 80-355
- Rated voltage: according to customer's requirements
- Rated frequency: 50/60Hz
- Efficiency: IE3 (GB-grade 3)
- Insulation class: F
- Protection grade: IP55
- Cooling method: IC411
- Duty type: S1
- Installation method: B3, B35, B5

PRODUCT ADVANTAGE

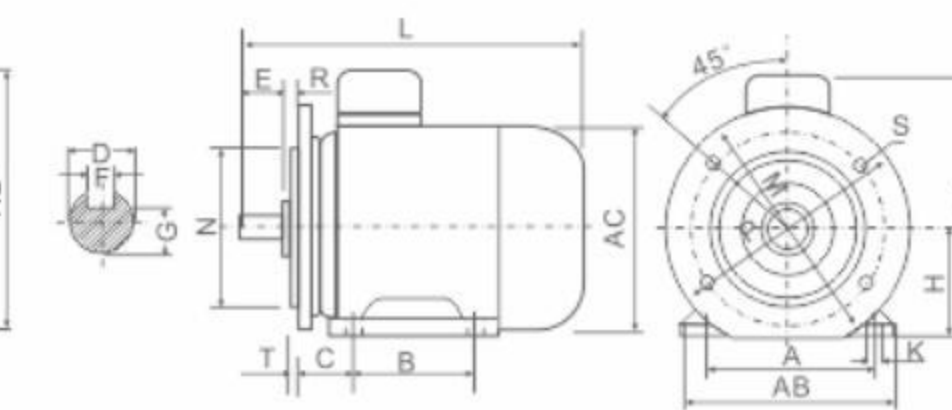
- Compact structure design
- Attractive appearance
- Low noise
- High starting torque
- Suitable for heavy duty application
- High efficiency and energy saving
- Easy installation and maintenance
- Reliable and durable

ABLE[®]
ABLE MOTOR
www.ablecn.com

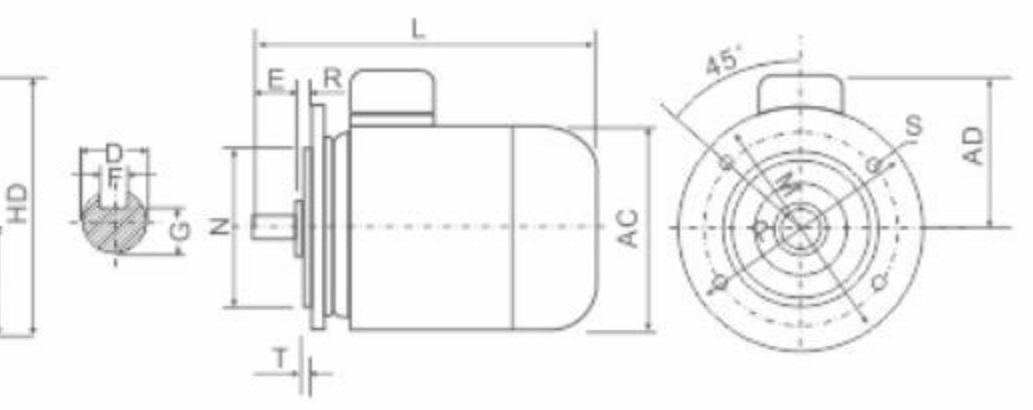
IMB3



IMB35



IMB5



外形及安装尺寸 INSTALLATION AND OVERALL DIMENSIONS

机座号 Frame Size	安装尺寸 Mounting Dimensions (mm)																外形尺寸 Overall Dimensions (mm)								
	A	B	C	D		E		F		G		H	K	M	N	P	R	S	T	AB	AC	AD	HD	L	
				2P	4,6,8,10P	2P	4,6,8,10P	2P	4,6,8,10P	2P	4,6,8,10P													2P	4,6,8,10P
80M	125	100	50	19	40	6	15.5	80	10	165	130	200	0	12	3.5	165	168	142	222	298					
90S	140	100	56	24	50	8	20	90	10	165	130	200	0	12	3.5	176	181	150	240	350					
90L	140	125	56	24	50	8	20	90	10	165	130	200	0	12	3.5	176	181	150	240	380					
100L	160	140	63	28	60	8	24	100	12	215	180	250	0	14.5	4	200	206	181	281	428					
112M	190	140	70	28	60	8	24	112	12	215	180	250	0	14.5	4	226	220	188	300	395	465				
132S	216	140	89	38	80	10	33	132	12	265	230	300	0	14.5	4	262	259	208	340	463					
132M	216	178	89	38	80	10	33	132	12	265	230	300	0	14.5	4	262	259	208	340	501					
160M	254	210	108	42	110	12	37	160	14.5	300	250	350	0	4-18.5	5	314	314	264	424	610					
160L	254	254	108	42	110	12	37	160	14.5	300	250	350	0	4-18.5	5	314	314	264	424	654					
180M	279	241	121	48	110	14	42.5	180	14.5	300	250	350	0	4-18.5	5	349	354	283	463	686					
180L	279	279	121	48	110	14	42.5	180	14.5	300	250	350	0	4-18.5	5	349	354	283	463	724					
200L	318	305	133	55	110	16	49	200	18.5	350	300	400	0	4-18.5	5	388	396	312	512	769					
225S	356	286	149	-	60	-	140	-	18	-	53	225	18.5	400	350	450	0	8-18.5	5	431	445	333	558	-	823
225M	356	311	149	55	60	110	140	16	18	49	53	225	18.5	400	350	450	0	8-18.5	5	431	445	333	558	818	848
250M	406	349	168	60	65	140	180	18	18	53	58	250	24	500	450	550	0	8-18.5	5	484	484	367	617	909	909
280S	457	368	190	65	75	140	180	18	20	58	67.5	280	24	500	450	550	0	8-18.5	5	542	546	396	676	959	979
280M	457	419	190	65	75	140	180	18	20	58	67.5	280	24	500	450	550	0	8-18.5	5	542	546	396	676	1010	1030
315S	508	406	216	65	80	140	170	18	22	58	71	315	28	600	550	660	0	8-24	6	628	620	540	855	1193	1223
315M	508	457	216	65	80	140	170	18	22	58	71	315	28	600	550	660	0	8-24	6	628	620	540	855	1303	1333
315L	508	508	216	65	80	140	170	18	22	58	71	315	28	600	550	660	0	8-24	6	628	620	540	855	1303	1333
355M	610	560	254	75	95	140	170	20	25	67.5	86	355	28	740	680	800	0	8-24	6	726	701	666	1021	1509	1539
355L	610	630	254	75	95	140	170	20	25	67.5	86	355	28	740	680	800	0	8-24	6	726	701	666	1021	1509	1539

技术参数 TECHNICAL DATA

IE3

型号 Model	功率 Rated Power		额定电流 Rated Current (A)										额定 转速 Speed	效率 Eff.	功率 因数 PF.	额定 转矩 Tn	堵转 转矩/ 额定 转矩	最大 转矩/ 额定 转矩	启动 电流/ 额定 电流	净重 N.G
	KW	HP	220V	380V	660V	230V	400V	690V	240V	415V	720V	rpm								
YE3-801-2	0.75	1	3.0	1.7	1.0	2.8	1.6	0.9	2.7	1.6	0.9	2900	80.7	0.82	2.49	2.5	3.0	7.3	20	
YE3-802-2	1.1	1.5	4.2	2.4	1.4	4.0	2.3	1.3	3.9	2.2	1.3	2910	82.7	0.83	3.65	2.8	3.5	8.7	21	
YE3-90S-2	1.5	2	5.6	3.2	1.9	5.3	3.1	1.8	5.1	3.0	1.7	2920	84.2	0.84	4.95	2.4	3.2	8.5	26	
YE3-90L-2	2.2	3	7.9	4.6	2.6	7.6	4.3	2.5	7.2	4.2	2.4	2915	85.9	0.85	7.26	2.6	3.5	8.5	29	
YE3-100L-2	3	4	10.4	6.0	3.5	9.9	5.7	3.3	9.5	5.5	3.2	2910	87.1	0.87	9.90	3.2	3.5	8.5	43	
YE3-112M-2	4	5.5	13.5	7.8	4.5	13.0	7.4	4.3	12.4	7.2	4.1	2920	88.1	0.88	13.1	2.6	3.0	8.6	51	
YE3-132S1-2	5.5	7.5	18.4	10.6	6.1	17.6	10.1	5.9	16.9	9.7	5.6	2920	89.2	0.88	17.9	2.5	2.8	8.6	76	
YE3-132S2-2	7.5	10	24.8	14.4	8.3	23.7	13.7	7.9	22.8	13.2	7.6	2925	90.1	0.88	24.4	2.5	3.0	8.5	84	
YE3-132M1-2	9.2	12.5	30.3	17.5	10.1	29.0	16.7	9.7	27.8	16.1	9.3	2930	90.6	0.88	30.0	2.6	3.2	8.8	95	
YE3-160M1-2	11	15	35.6	20.6	11.9	34.0	19.6	11.3	32.6	18.9	10.9	2940	91.2	0.89	35.7	2.7	3.6	8.8	122	
YE3-160M2-2	15	20	48.1	27.9	16.0	46.0	26.5	15.3	44.1	25.5	14.7	2935	91.9	0.89	48.8	2.6	3.6	9.0	137	
YE3-160L-2	18.5	25	59.0	34.2	19.7	56.5	32.5	18.8	54.1	31.3	18.0	2930	92.4	0.89	60.3	2.7	3.6	9.0	150	
YE3-180M-2	22	30	70.0	40.5	23.3	66.9	38.5	22.3	64.1	37.1	21.4	2945	92.7	0.89	71.3	2.7	3.2	8.8	198	
YE3-200L1-2	30	40	94.8	54.9	31.6	90.7	52.1	30.2	86.9	50.3	29.0	2950	93.3	0.89	97.1	2.0	2.7	8.2	244	
YE3-200L2-2	37	50	116	67.4	38.8	111	64.0	37.1	107	61.7	35.6	2950	93.7	0.89	120	2.7	3.0	8.4	261	
YE3-225M-2	45	60	141	81.7	47.1	135	77.6	45.0	129	74.8	43.1	2970	94.0	0.89	145	3.2	2.6	9.4	324	
YE3-250M-2	55	75	172	100	57.3	165	95	54.8	158	91.2	52.5	2965	94.3	0.89	177	2.5	3.2	7.8	407	
YE3-280S-2	75	100	234	135	77.8	223	128	74.5	214	124	71.4	2970	94.7	0.89	241	2.5	3.1	7.8	575	
YE3-280M-2	90	125	279	162	93.1	267	154	89.1	256	148	85.4	2970	95.0	0.89	289	2.6	3.0	7.5	600	
YE3-315S-2	110	150	337	195	112	322	185	107	309	179	103	2975	95.2	0.9	353	2.1	2.8	7.4	876	
YE3-315M-2	132	180	403	234	134	386	222	129	370	214	123	2975	95.4	0.9	424	2.0	2.7	7.0	974	
YE3-315L1-2	160	220	483	279	161	462	265	154	442	256	147	2975	95.6	0.91	514	1.9	2.7	6.4	1009	
YE3-315L2-2	200	270	602	349	201	576	331	192	552	319	184	2975	95.8	0.91	642	2.1	2.8	8.6	1132	
YE3-355M-2	250	340	753	436	251	720	414	240	690	399	230	2980	95.8	0.91	801	1.7	2.3	6.7	1643	
YE3-355L-2	315	430	948	549	316	907	522	302	869	503	290	2980	95.8	0.91	1009	1.7	2.3	6.6	1800	
YE3-802-4	0.75	1	3.2	1.8	1.1	3.0	1.7	1.0	2.9	1.7	1.0	1445	82.5	0.75	5.04	3.0	3.6	7.2	22	
YE3-90S-4	1.1	1.5	4.5	2.6	1.5	4.3	2.5	1.4	4.1	2.4	1.4	1445	84.1	0.76	7.27	2.5	3.0	8.0	27	
YE3-90L-4	1.5	2	6.0	3.5	2.0	5.7	3.3	1.9	5.5	3.2	1.8	1440	85.3	0.77	9.91	2.9	3.2	8.1	32	
YE3-100L1-4	2.2	3	8.2	4.8	2.7	7.9	4.5	2.6	7.5	4.4	2.5	1455	86.7	0.81	14.6	3.1	3.7	8.1	44	
YE3-100L2-4	3	4	10.9	6.3	3.6	10.5	6.0	3.5	10.0	5.8	3.3	1450	87.7	0.82	20.0	3.2	3.7	8.6	49	
YE3-112M-4	4	5.5	14.4	8.4	4.8	13.8	7.9	4.6	13.2	7.7	4.4	1455	88.6	0.82	26.5	3.0	3.7	8.8	56	
YE3-132S-4	5.5	7.5	19.4	11.2	6.5	18.6	10.7	6.2	17.8	10.3	5.9	1460	89.6	0.83	36.0	2.8	3.6	8.6	81	
YE3-132M-4	7.5	10	25.9	15.0	8.6	24.8	14.3	8.3	23.8	13.7	7.9	1460	90.4	0.84	49.1	3.2	3.6	8.6	91	
YE3-132M2-4	9.2	12.5	31.6	18.3	10.5	30.2	17.4	10.1	29.0	16.8	9.7	1460	90.9	0.84	60.2	3.2	3.6	8.6	101	
YE3-160M-4	11	15	37.2	21.5	12.4	35.5	20.4	11.8	34.1	19.7	11.4	1460	91.4	0.85	72.0	3.5	3.8	8.8	122	
YE3-160L-4	15	20	49.7	28.8	16.6	47.5	27.3	15.8	45.6	26.3	15.2	1460	92.1	0.86	98.1	3.5	3.8	8.8	144	
YE3-180M-4	18.5	25	61.0	35.3	20.3	58.3	33.5	19.4	55.9	32.3	18.6	1465	92.6	0.86	121	2.5	3.4	7.8	182	
YE3-180L-4	22	30	72.2	41.8	24.1	69.0	39.7	23.0	66.2	38.3	22.1	1465	93.0	0.86	143	2.6	2.7	8.0	209	
YE3-200L-4	30	40	97.8	56.6	32.6	93.6	53.8	31.2	89.7	51.8	29.9	1475	93.6	0.86	194	3.0	3.7	8.6	280	
YE3-225S-4	37	50	120	69.6	40.1	115	66.1	38.3	110	63.7	36.7	1480	93.9	0.86	239	3.4	3.3	9.4	308	
YE3-225M-4	45	60	146	84.4	48.6	139	80.2	46.5	134	77.3	44.5	1480	94.2	0.86	290	3.2	3.5	9.0	343	
YE3-250M-4	55	75	177	103	59.1	170	97.6	56.6	163	94.1	54.2	1485	94.6	0.86	354	3.0	3.1	8.5	456	
YE3-280S-4	75	100	235	136	78.5	225	129	75.1	216	125	71.9	1480	95.0	0.88	484	2.7	2.8	8.0	565	
YE3-280M-4	90	125	282	163	94.0	270	155	89.9	258	149	86.1	1485	95.2	0.88	579	2.7	2.8	8.0	657	
YE3-315S-4	110	150	344	199	115	329	189	110	315	182	105	1480	95.4	0.88	710	2.6	2.7	8.2	876	
YE3-315M-4	132	180	412	238	137	394	226	131	377	218	126	1480	95.6	0.88	852	2.5	2.8	8.1	994	
YE3-315L1-4	160	220	492	285	164	471	271	157	451	261	150	1480	95.8	0.89	1032	2.3	2.7	7.8	1078	
YE3-315L2-4	200	270	614	356	205	588	338	196	563	326	188	1480	96.0	0.89	1291	2.1	2.5	7.3	1238	
YE3-355M-4	250	340	759	440	253	726	418	242	696	403	232	1490	96.0	0.9	1602	2.1	2.5	7.3	1719	
YE3-355L-4	315	430	957	554	319	915	526	305	877	507	292	1490	96.0	0.9	2019	2.3	2.5	7.5	1823	

技术参数 TECHNICAL DATA

IE3

型号 Model	功率 Rated Power		额定电流 Rated Current (A)										额定 转速 Speed	效率 Eff.	功率 因数 PF.	额定 转矩 Tn	堵转 转矩/ 额定 转矩	最大 转矩/ 额定 转矩	启动 电流/ 额定 电流	净重 N.G
	KW	HP	220V	380V	660V	230V	400V	690V	240V	415V	720V	rpm								
YE3-90S-6	0.75	1	3.51	2.03	1.17	3.36	1.93	1.12	3.22	1.86	1.07	955	78.9	0.71	7.66	1.9	2.3	6.0	27	
YE3-90L-6	1.1	1.5	4.88	2.83	1.63	4.67	2.69	1.56	4.48	2.59	1.49	955	81.0	0.73	11.1	2.6	3.0	6.0	29	
YE3-100L-6	1.5	2	6.54	3.78	2.18	6.25	3.59	2.08	5.99	3.47	2.00	960	82.5	0.73	15.1	2.6	3.1	6.5	42	
YE3-112M-6	2.2	3	9.26	5.36	3.09	8.85	5.09	2.95	8.48	4.91	2.83	965	84.3	0.74	22.0	2.2	3.0	6.6	53	
YE3-132S-6	3	4	12.4	7.20	4.14	11.9	6.84	3.96	11.4	6.59	3.80	968	85.6	0.74	29.6	2.7	3.8	7.8	79	
YE3-132M1-6	4	5.5	16.3	9.46	5.45	15.6	8.99	5.21	15.0	8.66	4.99	968	86.8	0.74	39.5	2.3	2.7	7.8	86	
YE3-132M2-6	5.5	7.5	21.9	12.7	7.29	20.9	12.0	6.97	20.0	11.6	6.68	968	88.0	0.75	54.3	2.3	2.7	8.1	98	
YE3-160M-6	7.5	10	28.3	16.4	9.44	27.1	15.6	9.03	26.0	15.0	8.65	975	89.1	0.78	73.5	2.4	3.1	7.8	120	
YE3-160L-6	11	15	40.5	23.4	13.5	38.7	22.3	12.9	37.1	21.5	12.4	970	90.3	0.79	108	2.2	2.4	7.8	140	
YE3-180L-6	15	20	53.3	30.9	17.8	51.0	29.3	17.0	48.8	28.2	16.3	980	91.2	0.81	146	2.2	2.6	6.0	186	
YE3-200L1-6	18.5	25	65.4	37.8	21.8	62.5	35.9	20.8	59.9	34.7	20.0	980	91.7	0.81	180	2.2	2.5	6.5	235	
YE3-200L2-6	22	30	76.4	44.2	25.5	73.0	42.0	24.3	70.0	40.5	23.3	980	92.2	0.82	214	2.4	2.8	7.0	253	
YE3-225M-6	30	40	105	60.6	34.9	100	57.5	33.4	95.9	55.5	32.0	985	92.9	0.81	291	2.0	2.3	6.5	295	
YE3-250M-6	37	50	124	71.7	41.3	119	68.1	39.5	114	65.7	37.9	985	93.3	0.84	359	2.1	2.3	6.8	398	
YE3-280S-																				